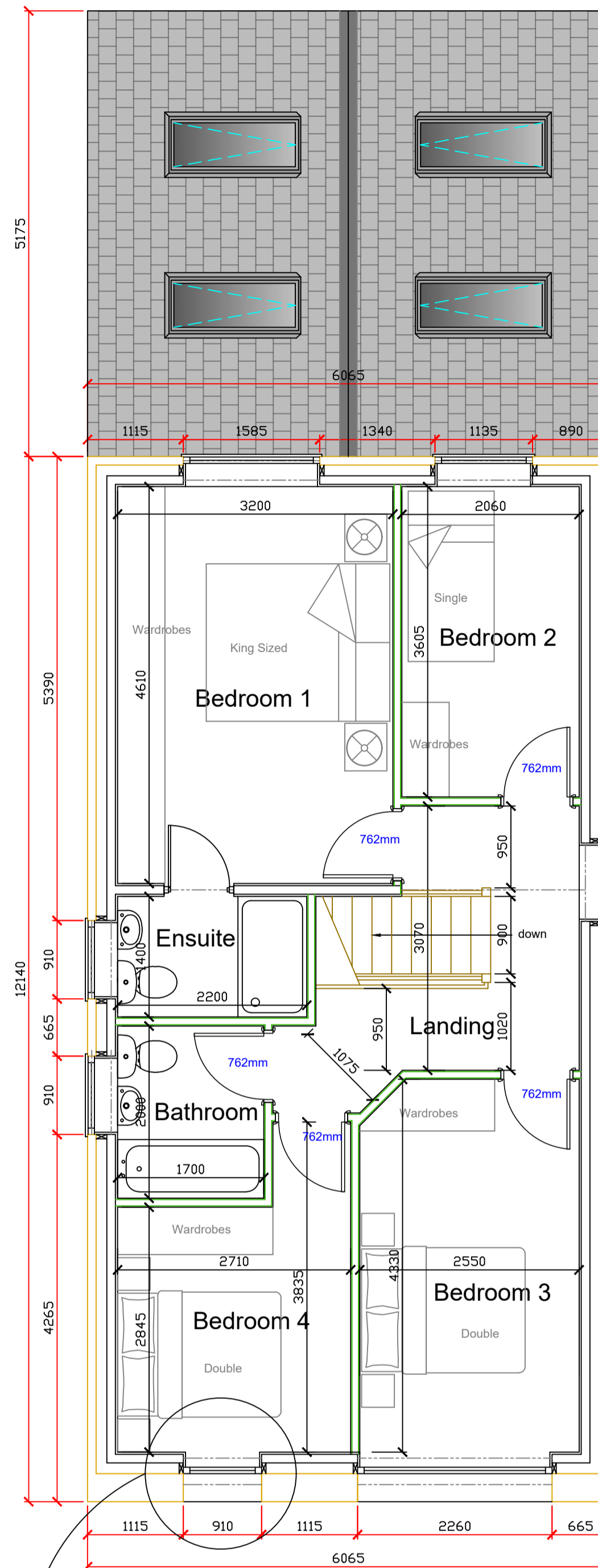
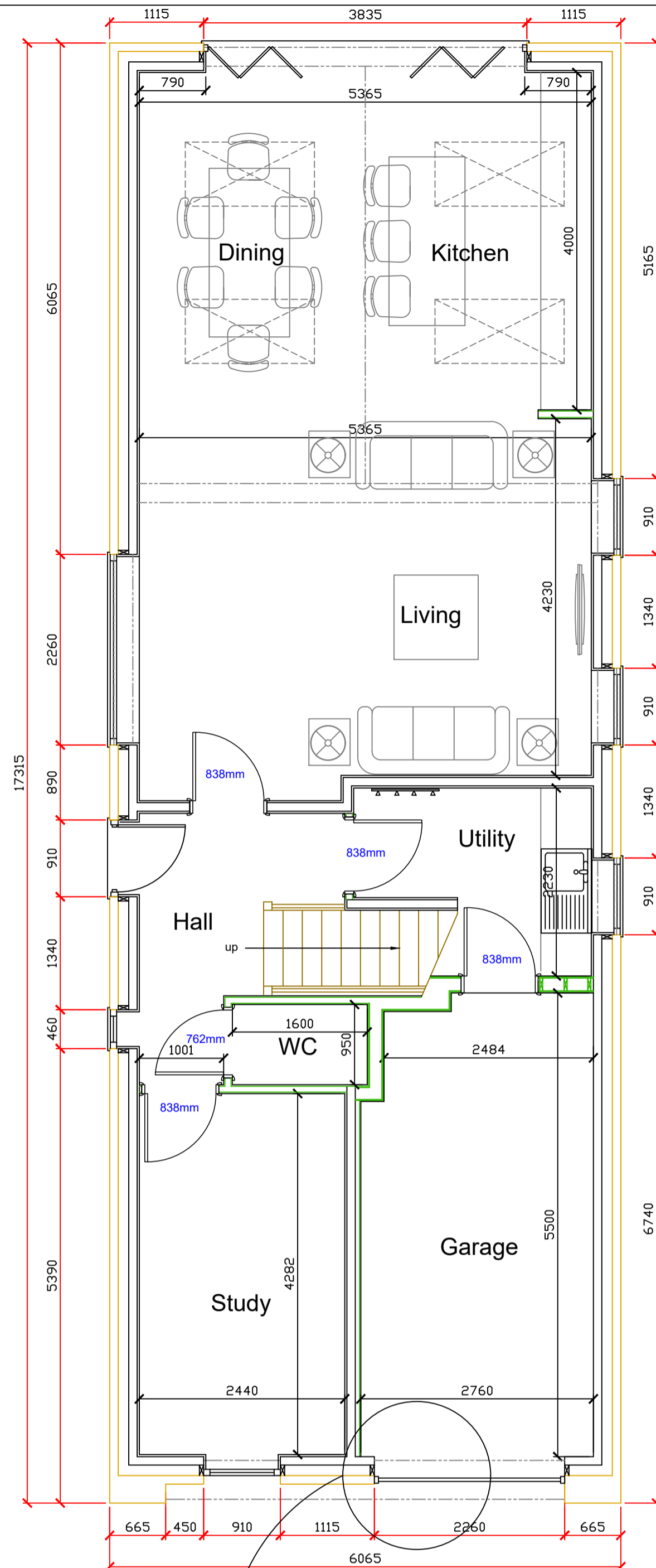
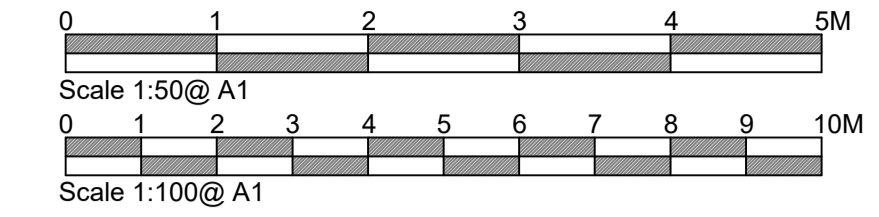
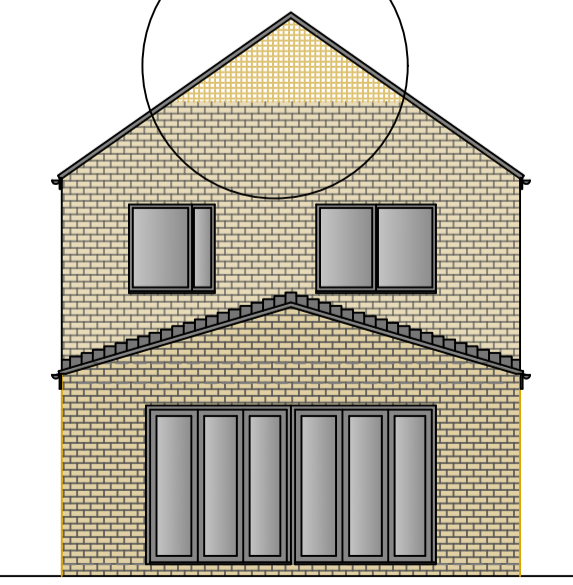
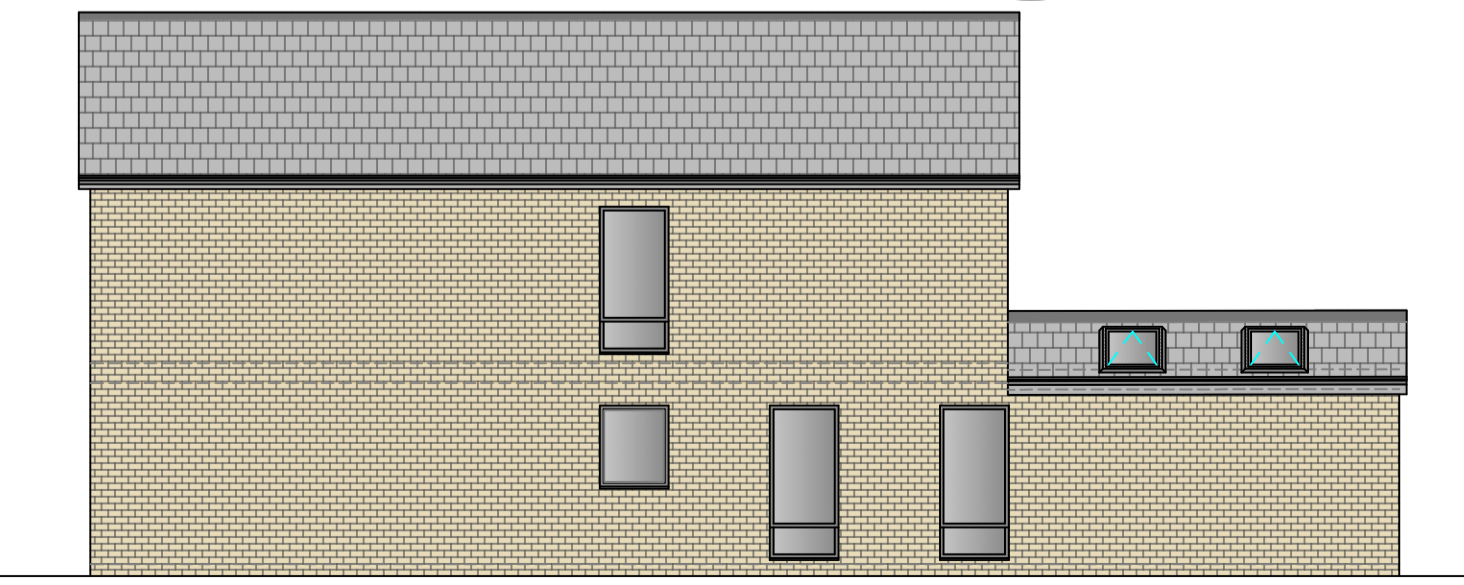
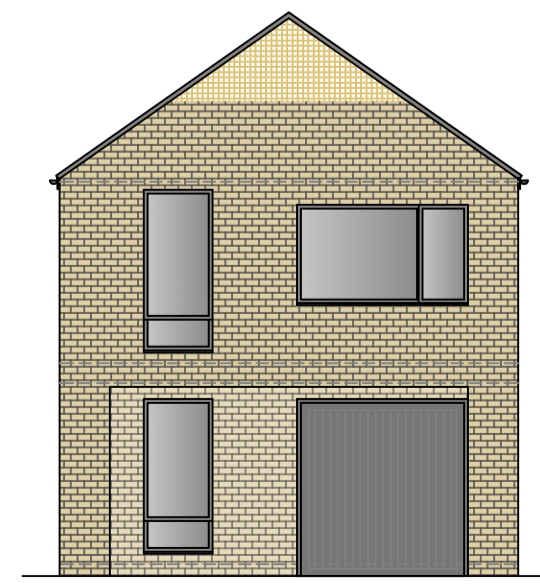
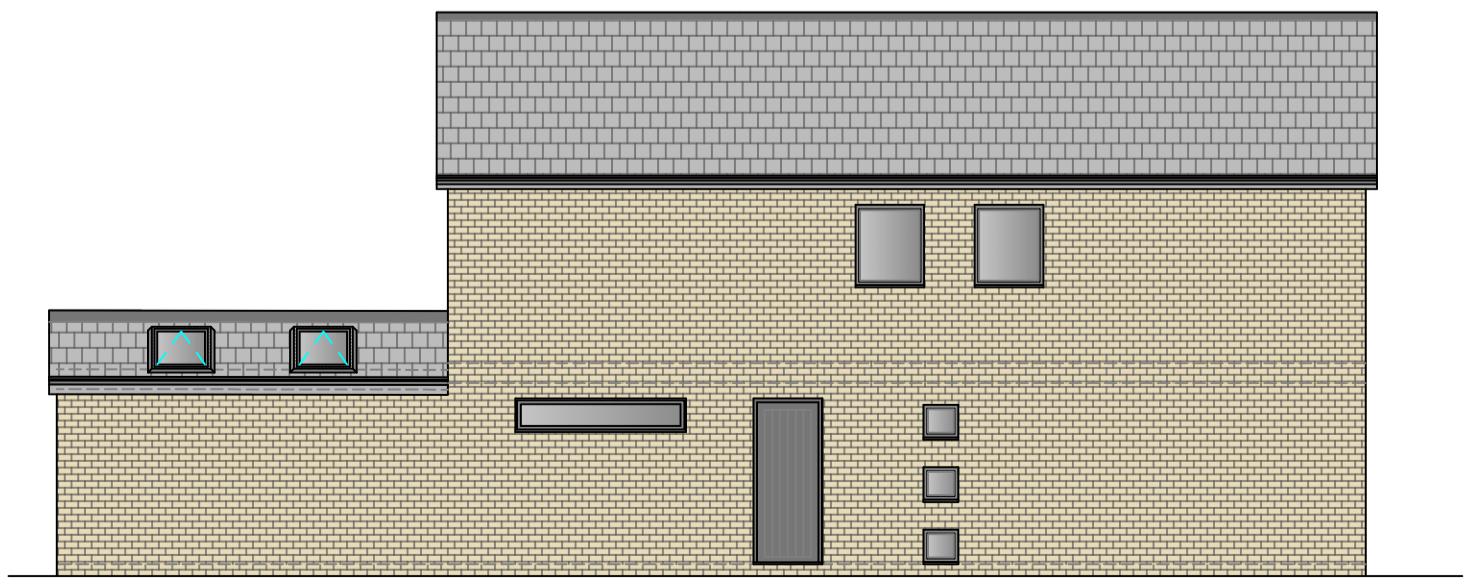
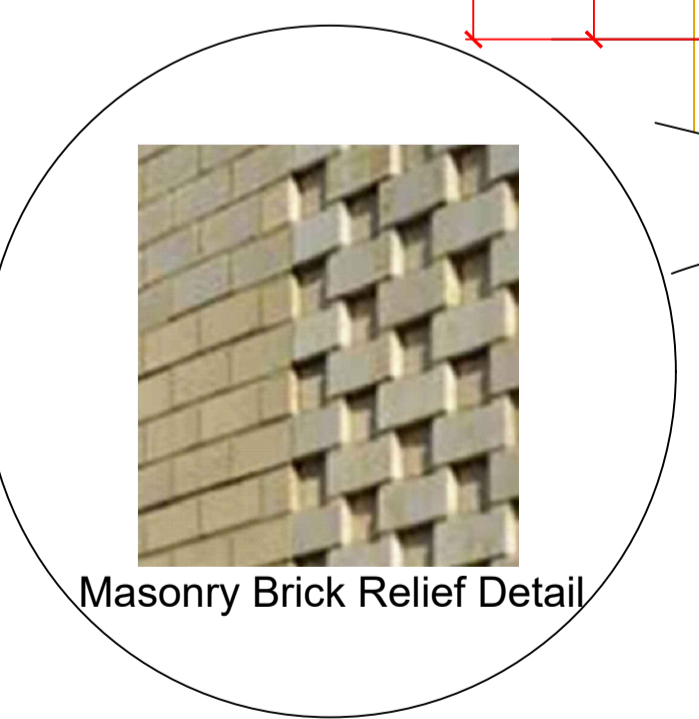
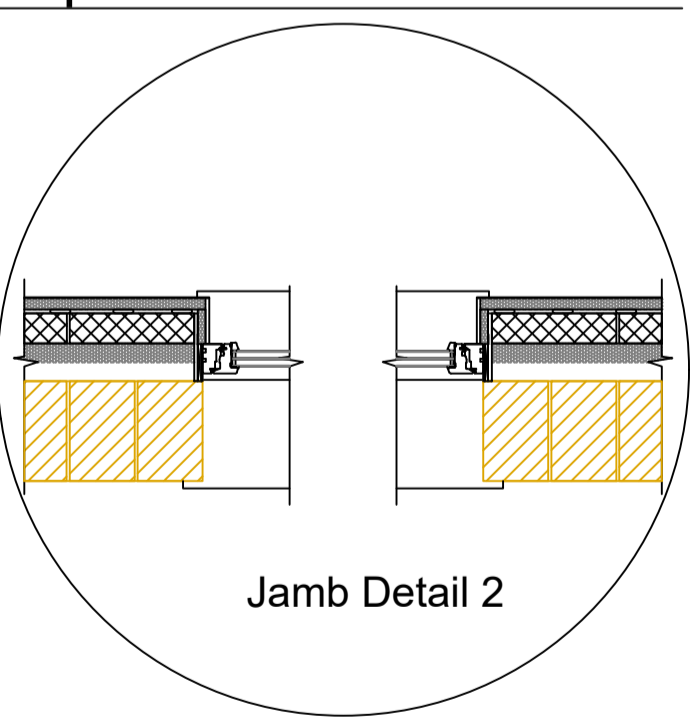
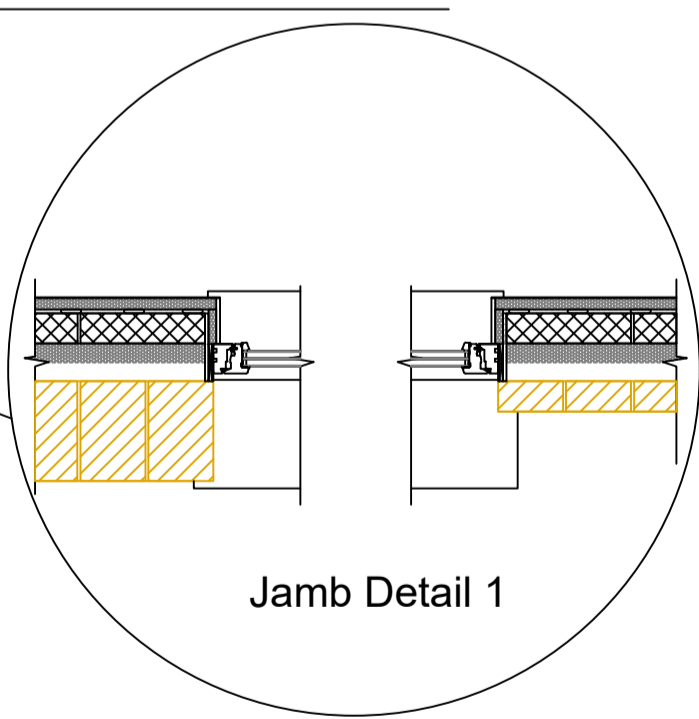
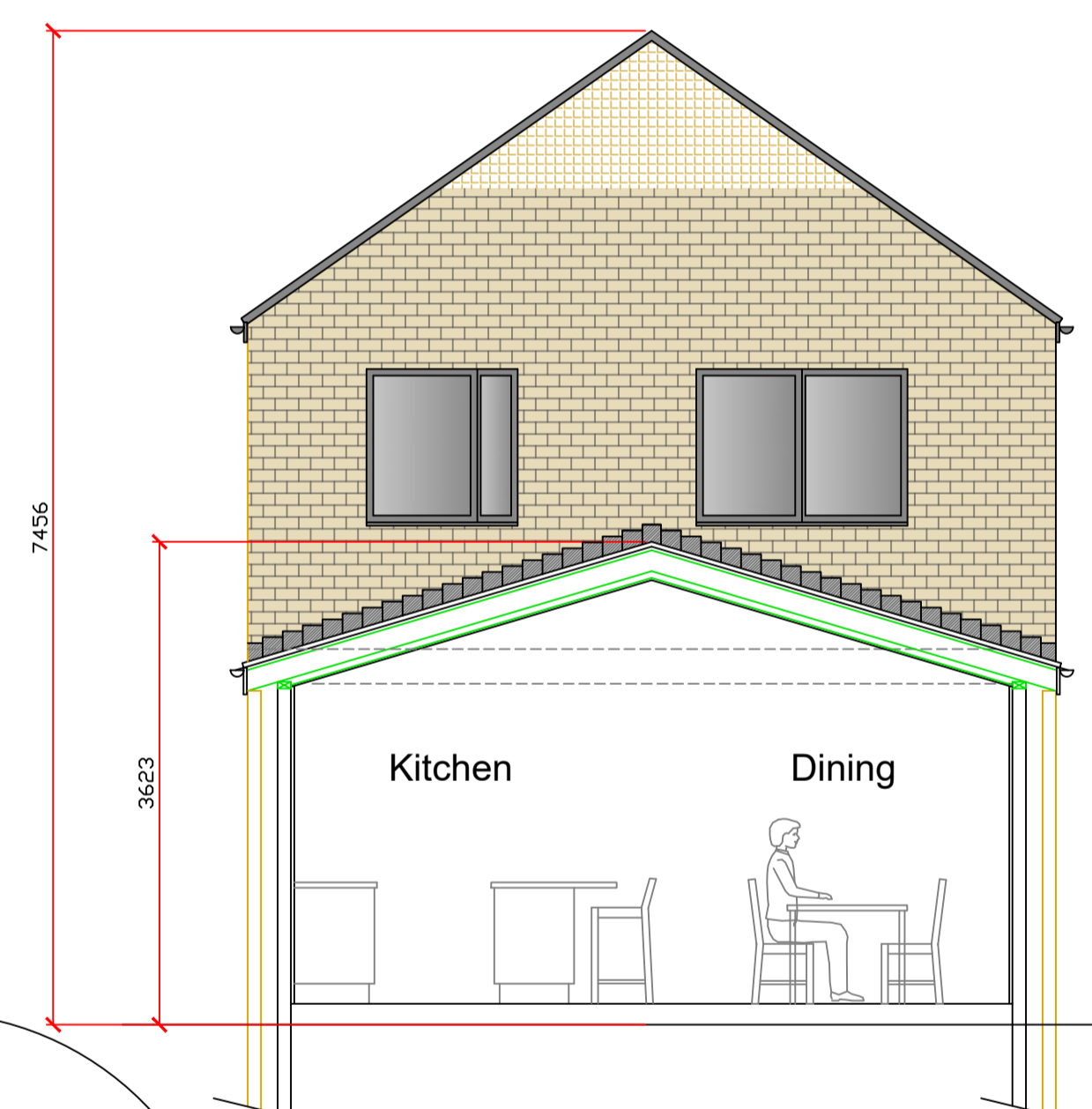
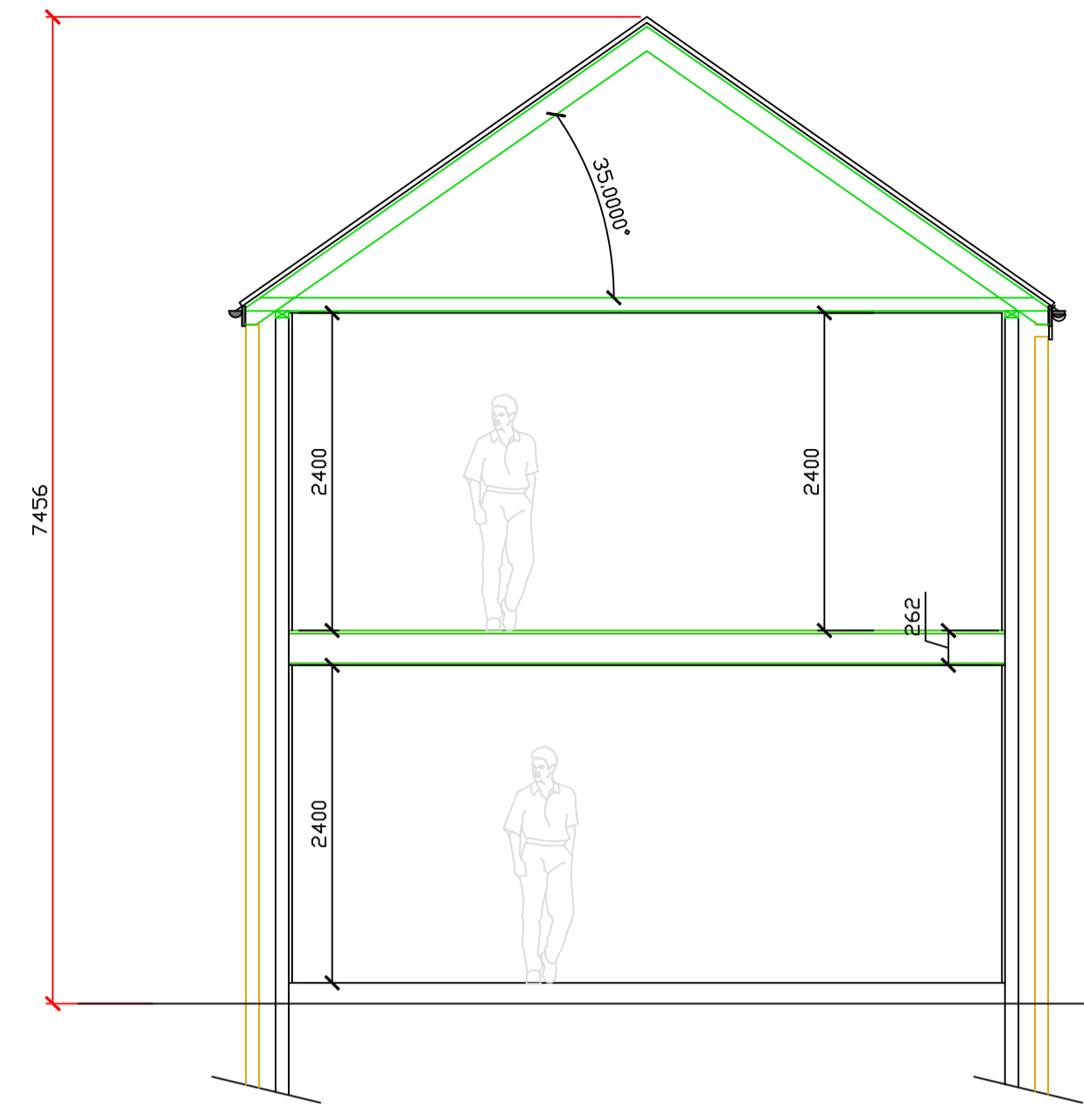


This drawing is protected by copyright and the information contained therein is the property of William McCall. The drawing must not be copied and the information contained therein may not be used or disclosed without written permission of and in the manner permitted by William McCall.



Needs to be 7570mm



Stage :-	<b>Preliminary Scheme Drawings</b>		
Project Title :-	Proposed 5 Unit Housing Scheme Plot 5		
Drawing Title :-	Proposed Plans & Elevations		
Client :-	Loxley Homes		
Drwg No :-	PL 03/20/041B	Date :-	July '20
Rev :-		Drawn:-	SCM
Scale :-	1:100 & 1:50@A1	Checked :-	
Site Address :-	Site Adj - Slate Lane Audenshaw Tameside M34 5QP		
The Old Post Room 34 Chew Valley Road Greenfield Saddleworth OL3 7DA Tel: 01457 871202 www.william-mccall.com   enquiries@william-mccall.com			